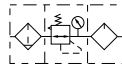


GC F.R.L COMBINATION



Symbol



Oil dripping adopts gas seal structure, which makes the adjustment of oil supply more reliable

Oil feed ring can only make one full turn. The quantity of oil supply, basically taking one linear distribution. The quantity of oil supply can be generally calculated according to the position of graduation ring.

Filling of oil while the lubricator is under pressure is made possible.

Special drip nozzle structure will produce negative pressure in oil dripping outlet and the mist flow is minimal

Quick and reliable mounting clamps makes it convenient to install and use

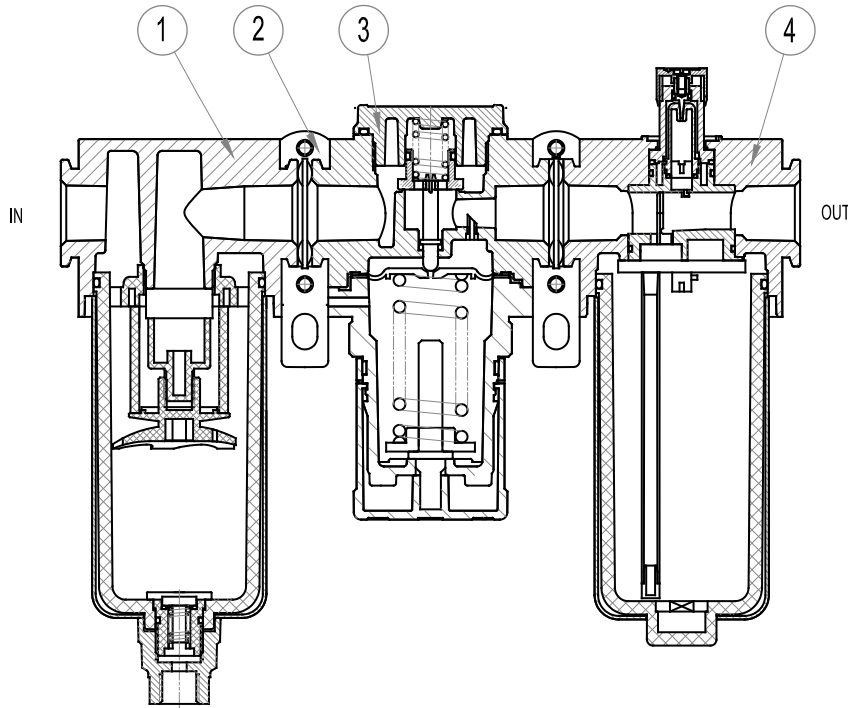
The performance of pressure adjustment is reliable with high precision

Three drain types are available : manual drain, semi-auto drain and automatic drain

TECHNICAL DATA

BORE[Φ]	GC200-06/08	GC300-08/10/15	GC400-10/15
Pneumatic connection	PT1/8"-PT1/4"	PT1/4"-PT3/8"-PT1/2"	PT3/8"-PT1/2"
Filtering grade	40μm or 5μm		
Pressure range	Semi-auto and automatic drain: 1.5bar-9bar		Manual drain: 0.5-9bar
Operating pressure	10bar		
Operating temperature	-20-70°C		
Operating medium	Air		
Recommended lubricant	ISO VG32 or equivalent		
Capacity of drain bowl	10CC	40CC	80CC
Capacity of oil bowl	25CC	75CC	160CC

1 bar=0.1MPa=14.5PSI



- 1 G series filter
- 2 Bracket
- 3 G series regulator
- 4 G series lubricator

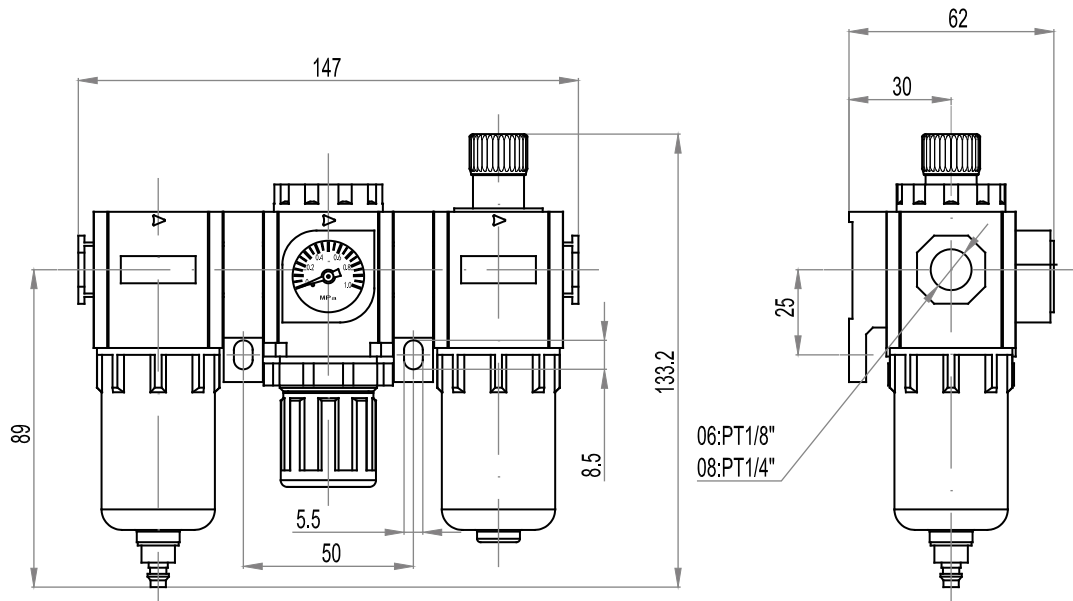
KEY CODE

GC200 - 08 - M - - F - 1 - W - G

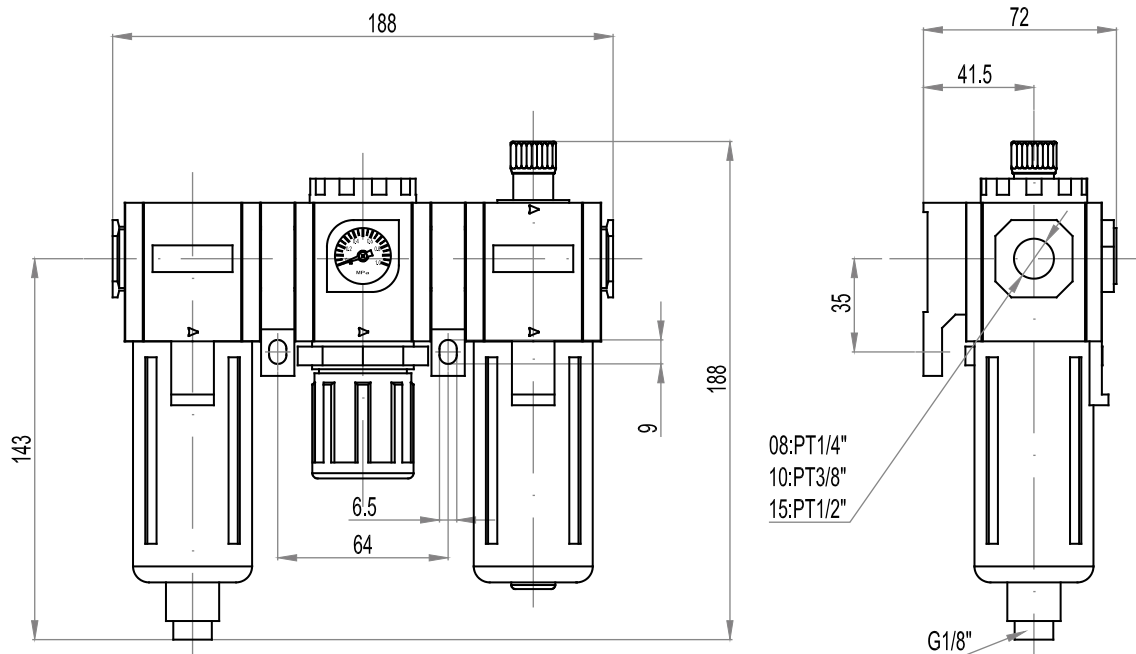
GC200	08		M		F	1	W	G
SERIES	SERIES	PORT SIZE	DRAIN TYPE	PRESSURE GAUGE	PRESSURE GAUGE SHAPE	SCALE	FILTERING GRADE	THREAD TYPE
GC200	GC200	06:1/8" 08:1/4"	Blank:Semi-auto drain	Blank:Pressure gauge	F:Diamond	1:MPa	BLANK:40µm	Blank:PT Thread
GC300	GC300	08:1/4" 10:3/8"	M:Manual drain	N:No pressure gauge	C:Circular	2:PSI	W:5µm	N:NPT Thread
GC400	GC400	15:1/2" 10:3/8" 15:1/2"	A:Automatic drain			3:BAR		G:G Thread

For further information, please consult with us.

GC200



GC300



GC400

