

## MF 20-40



The tube and covers of the cylinder are treated with hard anodizing ,forming an excellent abrasion resistance and durability

Oil bearing is adopted so the piston rod do not need to be lubricated

There are several modes of back cover ,which makes the installation of cylinder more convenient

There are cylinders and mounting accessories with several specifications for your choice

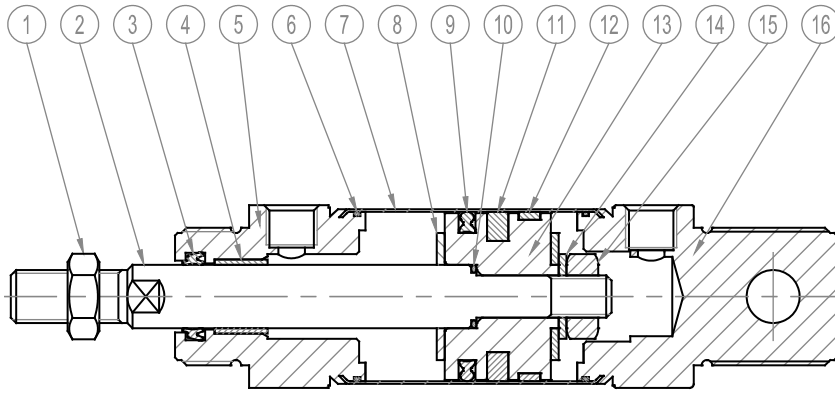
The seal material with high temperature resistance is adopted to guarantee the normal operation of cylinder at 150°C

### TECHNICAL DATA

BORE[Φ]	20	25	32	40
<b>Pneumatic connection</b>	PT1/8"	PT1/8"	PT1/8"	PT1/4"
<b>Piston rod thread</b>	M10×1.25	M12×1.25	M16×1.5	M16×1.5
<b>Cushioning</b>	Cushioning pads at both ends or self-adjusting at both ends			
<b>Cushioning length[mm]</b>	13	13	14	20
<b>Operating temperature</b>	-5-70°C			
<b>Operating pressure</b>	12 bar			
<b>Operating medium</b>	Filtered compressed air,with or without lubrication			
<b>Version</b>	Single acting or Double acting			
<b>Type of mounting</b>	Via accessories			
<b>Mounting position</b>	Any			



1 bar=0.1MPa=14.5PSI



1	Nut,Piston rod	Carbon steel
2	Piston rod	C45 chrome-plated steel
3	Wiper seal	NBR
4	Oil bearing	Sintered steel
5	Front cover	Aluminum alloy
6	O-ring,Front cover	NBR
7	Tube	316 Stainless steel
8	Pad	NBR
9	Piston seal	NBR
10	O-ring,Piston rod	NBR
11	Magnet	Ferrite
12	Wear Ring	POM
13	Piston	Aluminum alloy
14	Spring washer	Carbon steel
15	Piston rod lock nut	Carbon steel
16	End Cover	Aluminum alloy

**KEY CODE**

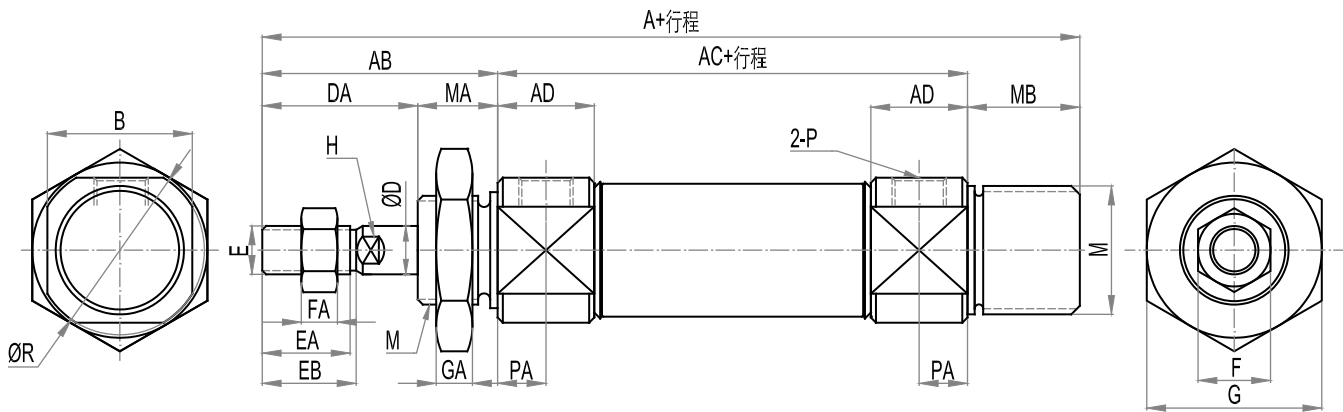
**MF - 20 X 50 - U - S - LB - I**

<b>MF</b>	<b>20</b>	<b>50</b>	<b>U</b>	<b>S</b>	<b>LB</b>	<b>I</b>
SERIES	BORE	STROKE [mm]	BACK COVER	MAGNETIC	MOUNTING TYPE	CONNECTOR TYPE
MF:Double rod type	20-25-32-40	As request	CA:Pivot type	Blank=Without magnet	Blank=Without accessory	Blank=Without accessory
MSF:Single acting-Rear spring			U:Lateral air connection	S =With magnet	LB=Angle bracket	I=I joint
MTF:Single acting- Front spring			CM:Round-end type		FA=Flange	Y=Y joint
MFC:Double rod type with adjustable stroke					SDB=Female hinge	U=Rod eye joint
						F=Floating joint

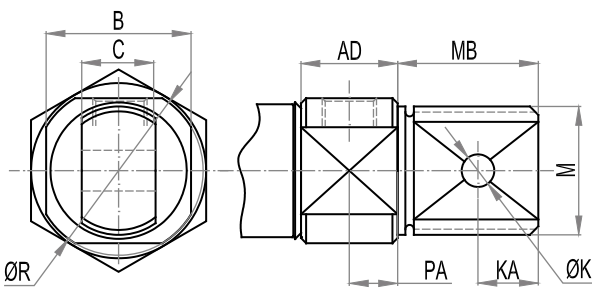
PS: High temperature seals available upon request

**MF/MFC**

CM-Round-end type

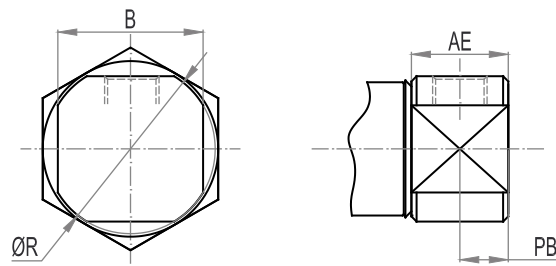


CA-Pivot type



Total length=A+STROKE

U-Lateral air connection



Total length=A+STROKE

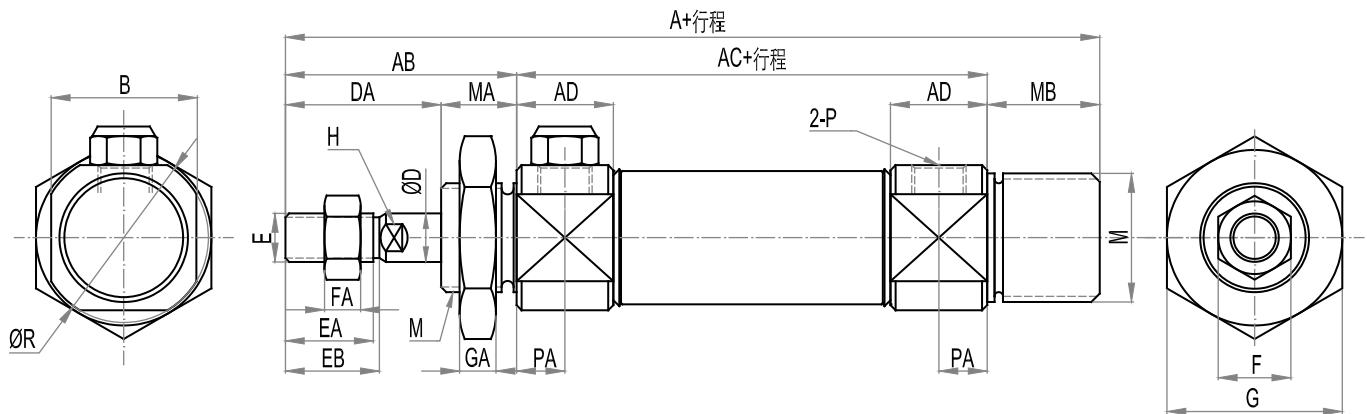
BORE	CM	A CA	U	AB	AC	AD	AE	B	C	D
<b>20</b>	116	124	103	41	62	15	15	24	12	8
<b>25</b>	118	128	107	45	62	15	15	30	12	10
<b>32</b>	122	136	109	45	64	15	15	34.5	20	12
<b>40</b>	154	165	138	50	88	21.5	21.5	42.5	20	16

BORE	DA	E	EA	EB	F	FA	G	GA	H	K
<b>20</b>	28	M8×1.25	15.5	18	13	5	26	8	6	8
<b>25</b>	32	M10×1.25	19.5	22	17	6	32	9	8	8
<b>32</b>	32	M10×1.25	19.5	22	17	6	32	9	10	10
<b>40</b>	34	M14×1.25	21.5	24	22	7	41	8	14	10

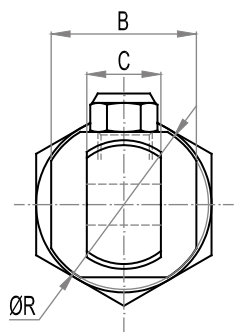
BORE	KA	M	MA	MB	P	PA	R	
	CM	CA						
<b>20</b>	9	M20×1.5	13	13	21	PT1/8"	8	28
<b>25</b>	9	M26×1.5	13	13	21	PT1/8"	8	33.5
<b>32</b>	12	M26×1.5	13	13	27	PT1/8"	8	37.5
<b>40</b>	12	M32×2.0	16	16	27	PT1/8"	11	46.5

## MSF

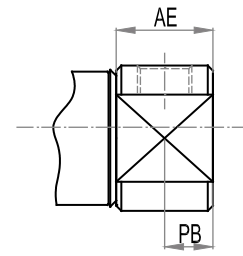
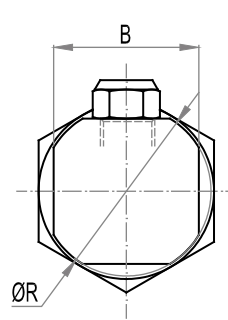
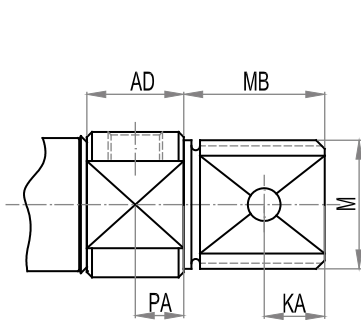
CM-Round-end type



CA-Pivot type



U-Lateral air connection



Total length=A+STROKE

Total length=A+STROKE

Back Cover	CM			CA			U			AB
	STROKE	1-50	51-100	101-150	1-50	51-100	101-150	1-50	51-100	
<b>20</b>	141	166	191	149	174	199	128	153	178	41
<b>25</b>	145	170	195	153	178	203	133	158	183	45
<b>32</b>	147	172	197	161	186	211	135	160	185	45
<b>40</b>	179	204	229	190	215	240	163.5	188.5	213.5	50

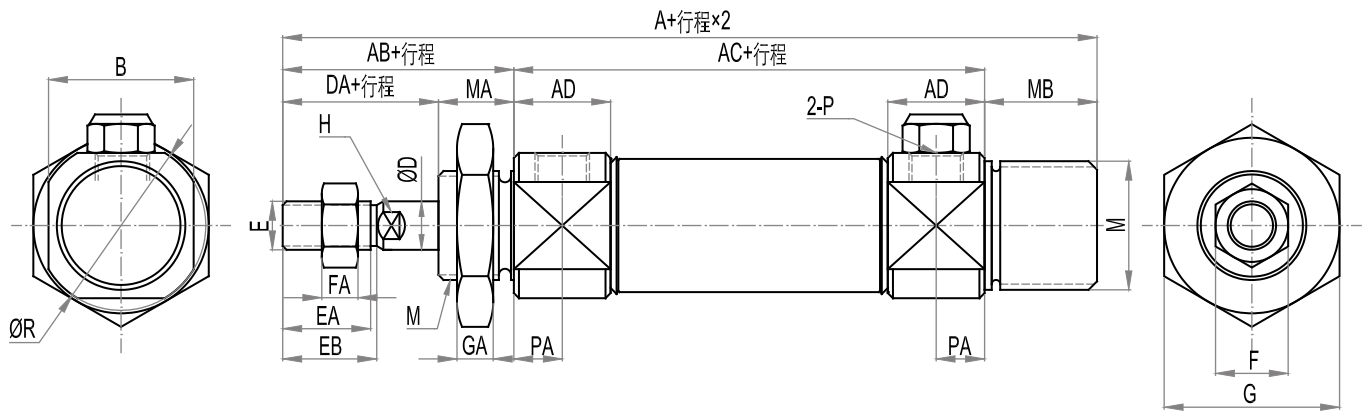
STROKE	AC			AD	AE	B	C	D	DA	E
	1-50	51-100	101-150							
<b>20</b>	87	112	137	15	15	24	12	8	28	M8×1.25
<b>25</b>	87	112	137	15	15	30	12	10	32	M10×1.25
<b>32</b>	89	114	139	15	15	34.5	20	12	32	M10×1.25
<b>40</b>	113	138	163	21.5	21.5	42.5	20	16	34	M14×1.25

STROKE	EA	EB	F	FA	G	GA	H	K	KA	M
<b>25</b>	19.5	22	17	6	32	9	8	8	9	M26×1.5
<b>32</b>	19.5	22	17	6	32	9	10	10	12	M26×1.5
<b>40</b>	21.5	24	22	8	41	8	14	10	12	M32×2.0

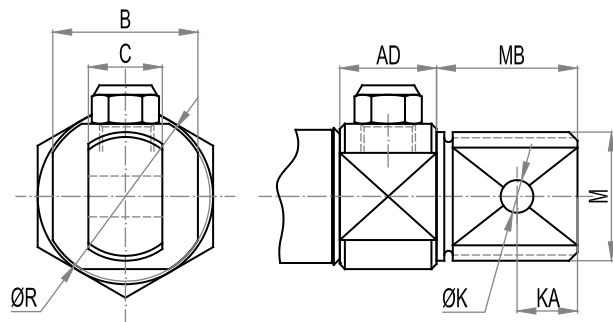
Back Cover	MA	MB	P	PA	R
	CM	CA			
<b>20</b>	13	21	PT1/8"	8	26
<b>25</b>	13	21	PT1/8"	8	32
<b>32</b>	13	27	PT1/8"	8	32
<b>40</b>	16	27	PT1/4"	11	41

**MTF**

CM-Round-end type

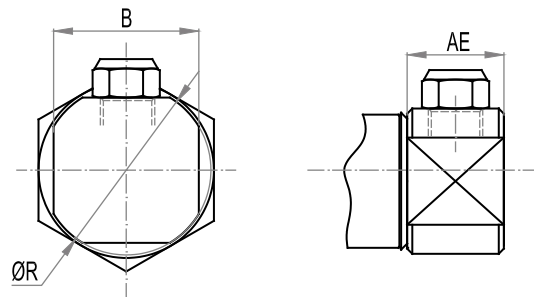


CA-Pivot type



Total length=A+STROKE ×2

U-Lateral air connection



Total length=A+STROKE ×2

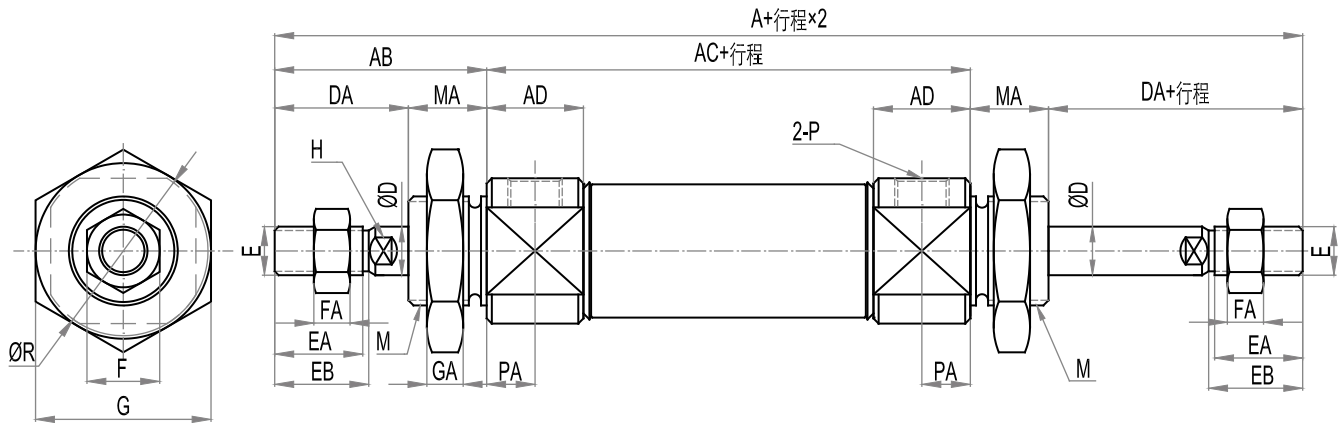
Back Cover	CM			CA			U			AB	
	STROKE	1-50	51-100	101-150	1-50	51-100	101-150	1-50	51-100		101-150
<b>20</b>		141	166	191	149	174	199	128	153	178	41
<b>25</b>		145	170	195	153	178	203	133	158	183	45
<b>32</b>		147	172	197	161	186	211	135	160	185	45
<b>40</b>		179	204	229	190	215	240	163.5	188.5	213.5	50

STROKE	AC			AD	AE	B	C	D	DA	E
	1-50	51-100	101-150							
<b>20</b>	87	112	137	15	15	24	12	8	28	M8×1.25
<b>25</b>	87	112	137	15	15	30	12	10	32	M10×1.25
<b>32</b>	89	114	139	15	15	34.5	20	12	32	M10×1.25
<b>40</b>	113	138	163	21.5	21.5	42.5	20	16	34	M14×1.25

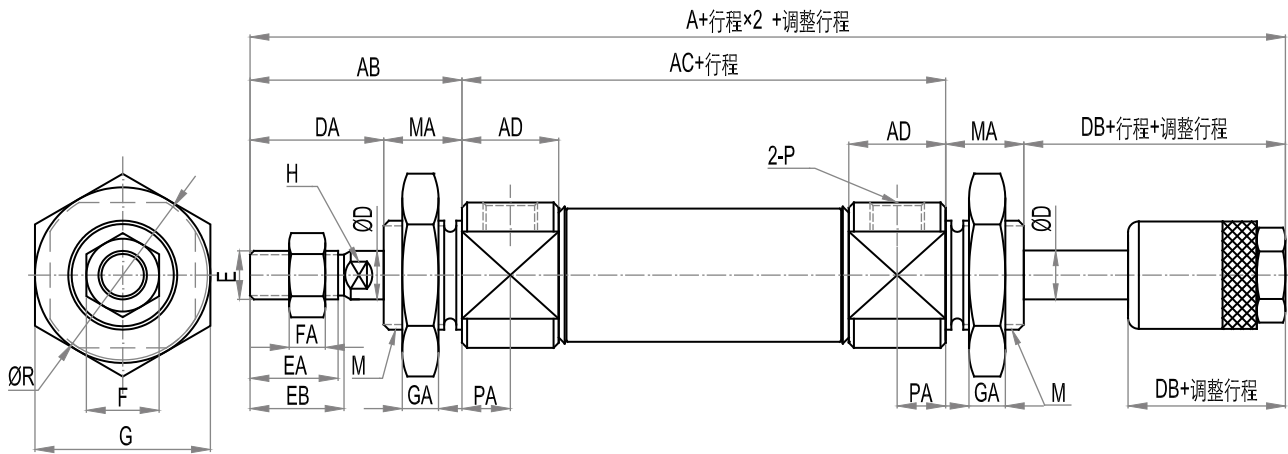
STROKE	EA	EB	F	FA	G	GA	H	K	KA	M
	<b>20</b>	15.5	18	13	5	26	8	6	8	9
<b>25</b>	19.5	22	17	6	32	9	8	8	9	M26×1.5
<b>32</b>	19.5	22	17	6	32	9	10	10	12	M26×1.5
<b>40</b>	21.5	24	22	8	41	8	14	10	12	M32×2.0

Back Cover	MA	MB	P	PA	R	
	CM	CA				
<b>20</b>	13	13	21	PT1/8"	8	26
<b>25</b>	13	13	21	PT1/8"	8	32
<b>32</b>	13	13	27	PT1/8"	8	32
<b>40</b>	16	16	27	PT1/4"	11	41

## MFD/MFCD



## MFJ/MFCJ



	A	AB	AC	AD	D	DA	DB	E	EA
	MFD/MFCD	MFJ/MFCJ							
<b>20</b>	144	141	41	62	15	8	28	M8×1.25	15.5
<b>25</b>	152	147	45	62	15	10	32	M10×1.25	19.5
<b>32</b>	154	149	45	64	15	12	32	M10×1.25	19.5
<b>40</b>	188	182	50	88	21.5	16	34	M14×1.25	21.5

	EB	F	FA	G	GA	H	K	KA	M	MA
<b>20</b>	18	13	5	26	8	6	8	9	M20×1.5	13
<b>25</b>	22	17	6	32	9	8	8	9	M26×1.5	13
<b>32</b>	22	17	6	32	9	10	10	12	M26×1.5	13
<b>40</b>	24	22	8	41	8	14	10	12	M32×2.0	16

	MB	P	PA	R
	CM	CA		
<b>20</b>	13	21	PT1/8"	8
<b>25</b>	13	21	PT1/8"	8
<b>32</b>	13	27	PT1/8"	8
<b>40</b>	16	27	PT1/4"	11