

GF FILTER

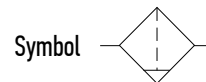


Unique diversion structure spins the air flowing through to effectively separate the liquid from the air and reliably filter the solid grain

It has low pressure loss, high efficiency in separating water and large drain bowl capacity

Three drain types are available : manual drain, semi-auto drain and automatic drain

The bracket can be selected for installation

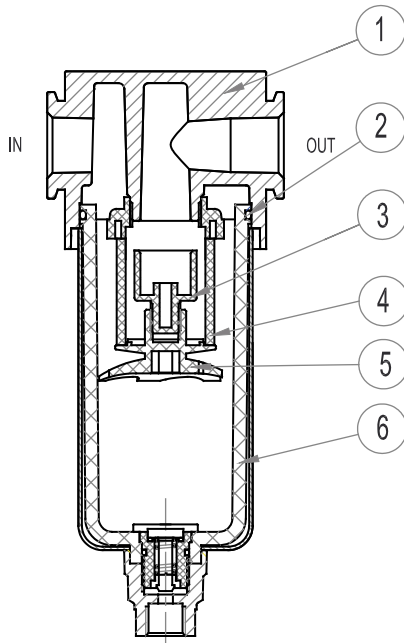


TECHNICAL DATA

BORE[Φ]	GF200-06/08	GF300-08/10/15	GF400-10/15
Pneumatic connection	PT1/8"-PT1/4"	PT1/4"-PT3/8"-PT1/2"	PT3/8"-PT1/2"
Filtering grade	40μm or 5μm		
Pressure range	Semi-auto and automatic drain: 1.5bar-9bar		Manual drain: 0.5-9bar
Operating pressure	10bar		
Operating temperature	-20-70°C		
Operating medium	Air		
Capacity of drain bowl	10CC	40CC	80CC



1 bar=0.1MPa=14.5PSI



1	Body	Aluminum alloy
2	O ring	NBR
3	Air guider	High viscosity POM
4	Filter core	40μm Agglomerated by brass grain 5μm Makrolon fiber
5	Umbrella baffle	High viscosity POM
6	Drain bowl	PC

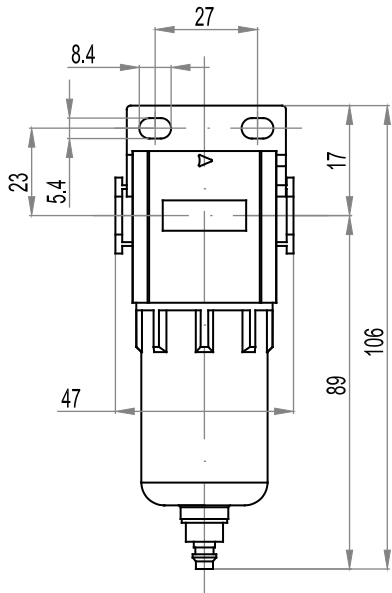
KEY CODE

GF200 - **08** - **M** - **W** - **G**

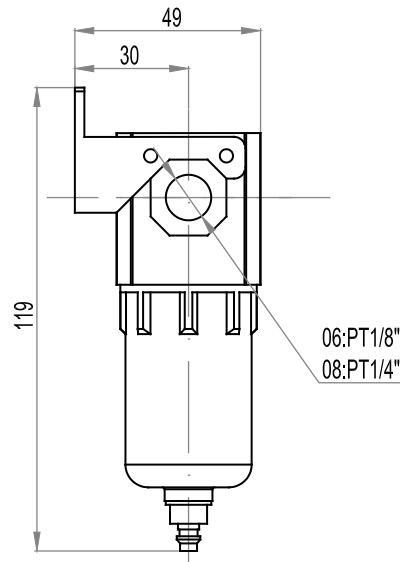
GF200	08		M		W	G
SERIES	SERIES	PORT SIZE	DRAIN TYPE	ACCESSORIES	FILTERING GRADE	THREAD TYPE
GF200	GF200	06:PT1/8" 08:PT1/4"	Blank:Semi-auto drain	Blank:Bracket	Blank:40μm	Blank:PT Thread
GF300	GF300	08:PT1/4" 10:PT3/8"	M:Manual drain	J:No bracket	W:5μm	N:NPT Thread
GF400	GF400	15:PT1/2" 10:PT3/8" 15:PT1/2"	A:Automatic drain			G:G Thread

For further information, please consult with us.

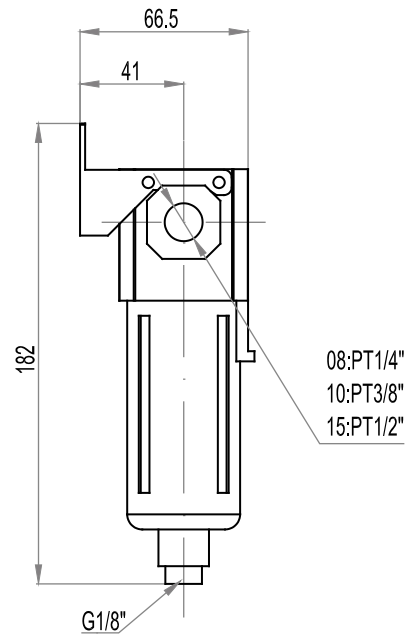
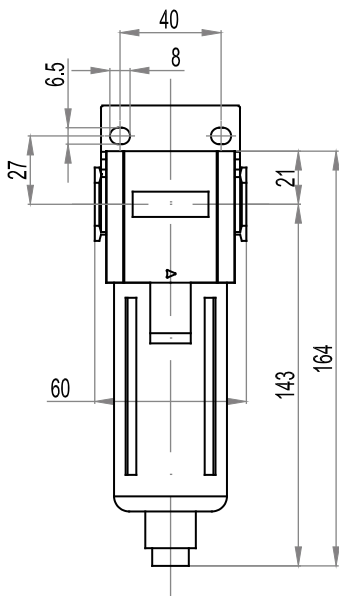
GF200



DIMENSIONS



GF300



GF400

