

4R PUSH PULL VALVE



Manual operation, convenient to use

Small size while high flow rate

Reliable performance, long life span

TECHNICAL DATA

Model	4R110-06	4R210-06	4R210-08	3R210-06	3R210-08	4R310-08	4R310-10	3R310-08	3R310-10	
Operating medium	Air filtered by 40um filter element									
Version	Manual control direct acting type									
Pneumatic connection	In=Out	PT1/8"	PT1/8"	PT1/4"	PT1/8"	PT1/4"	PT1/4"	PT3/8"	PT1/4"	PT3/8"
	Exhaust	PT1/8"	PT1/8"	PT1/8"	PT1/8"	PT1/4"	PT1/4"	PT1/4"	PT1/4"	PT3/8"
Orifice size	12mm ² (Cv=0.67)	14mm ² (Cv=0.78)	16mm ² (Cv=0.89)	14mm ² (Cv=0.78)	16mm ² (Cv=0.89)	25mm ² (Cv=1.40)	30mm ² (Cv=1.68)	25mm ² (Cv=1.40)	30mm ² (Cv=1.68)	
Valve type	5 port 2 position			3 port 2 position		5 port 2 position		3 port 2 position		
Lubrication	Not required. Once lubricated air is used, continue with same medium to optimise valve life span									
Operating pressure	0-0.8Mpa									
Proof pressure	1.5Mpa									
Operating temperature	-20-70°C									
Material body	Die casting aluminium									



1 bar=0.1MPa=14.5PSI

KEY CODE

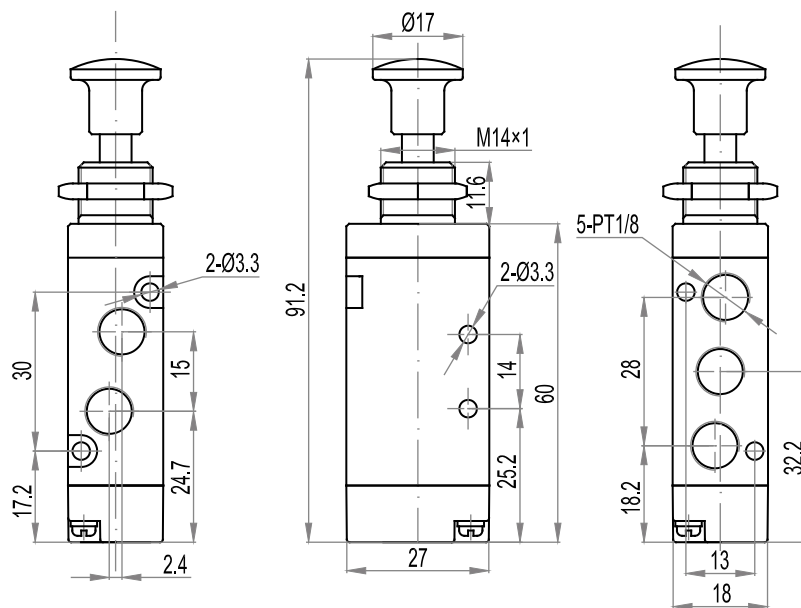
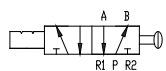
4R - **1** - **10** - **06** - **G**

For further information, please consult with us.

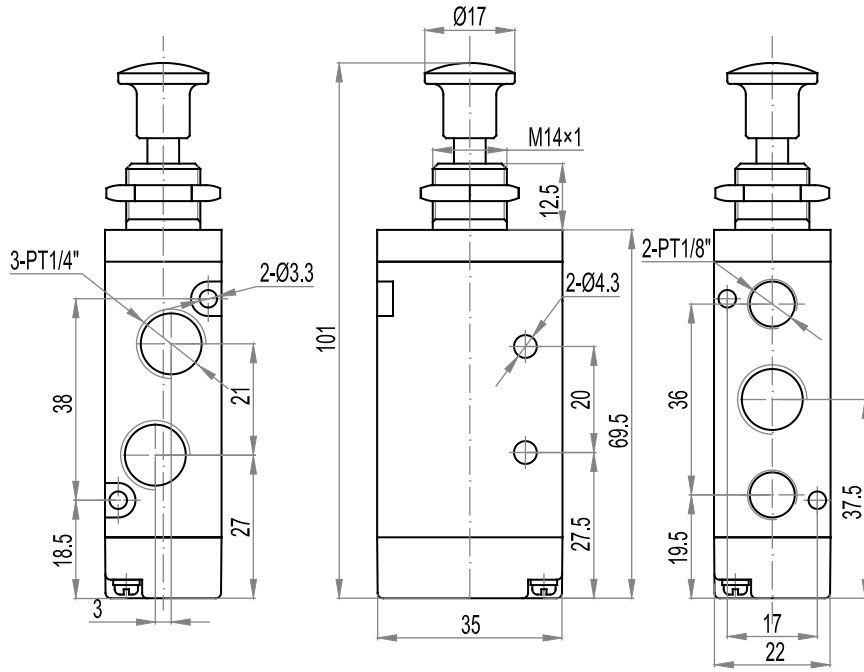
4R		100		10		06		G	
SERIES	TYPE	VALVE TYPE		SERIES	PORT SIZE	THREAD TYPE			
3R:3 port 2 position	1:100 series	10:Single head double position		110	06:1/8"	Blank:PT Thread			
4R:5 port 2 position	2:200 series			210	06:1/8" 08:1/4"			N:NPT Thread	
	3:300 series			310	08:1/4" 10:3/8"	G: G Thread			

DIMENSIONS

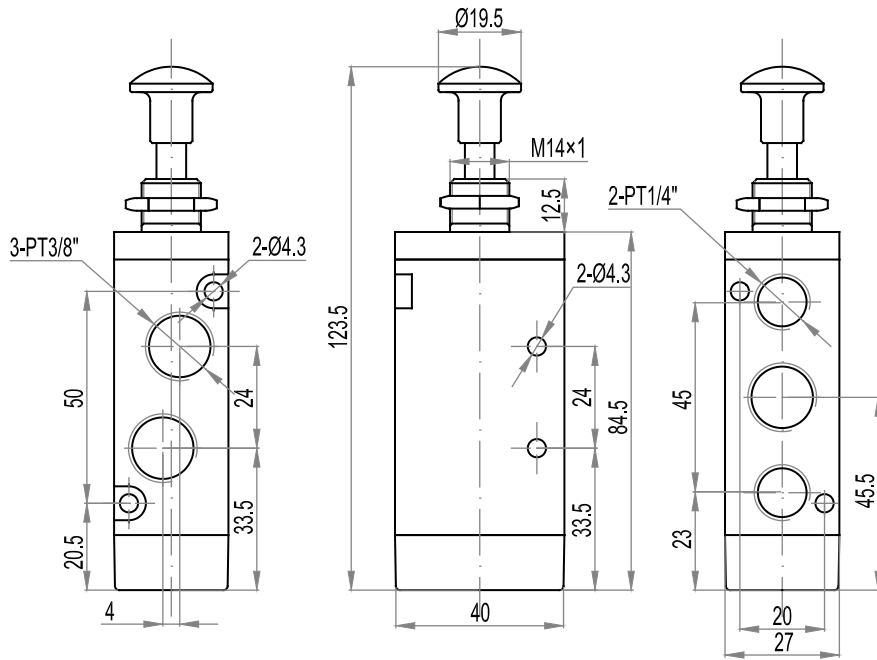
Model: 4R110-06



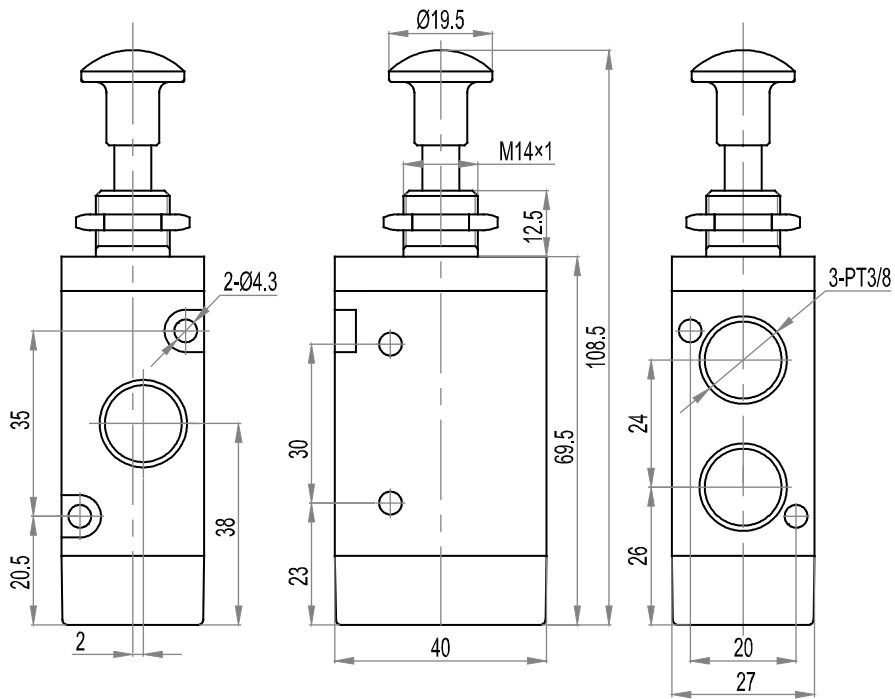
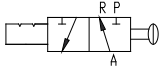
Model: 4R210-06/08



Model: 4R310-08/10



Model: 3R210-06/08



Model: 3R310-08/10

