

AS FLOW CONTROL VALVE



Small and compact structure

Allows air to exhaust and cut off air flow. The adjustment screw is both sensitive and precise

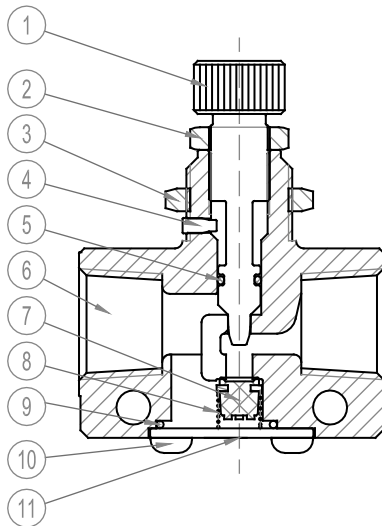
Can be mounted in various position to facilitate installation and application

TECHNICAL DATA

Model	AS150	AS300	AS400
Operating medium	Air filtered by 40um filter element		
Pneumatic connection	PT1/8"-PT1/4"	PT1/4"-PT3/8"	PT3/8"-PT1/2"
Operating pressure	0.05-0.95Mpa		
Proof pressure	1.5Mpa		
Operating temperature	-20-70°C		
Material body	Aluminum alloy		



1 bar=0.1MPa=14.5PSI



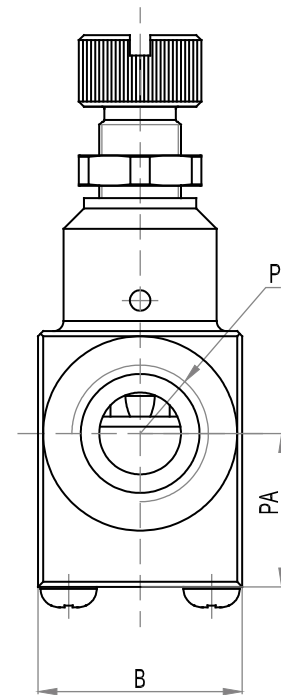
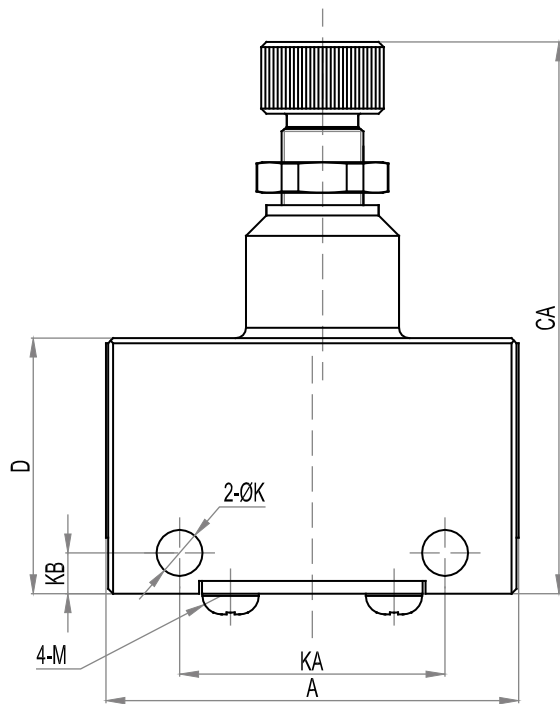
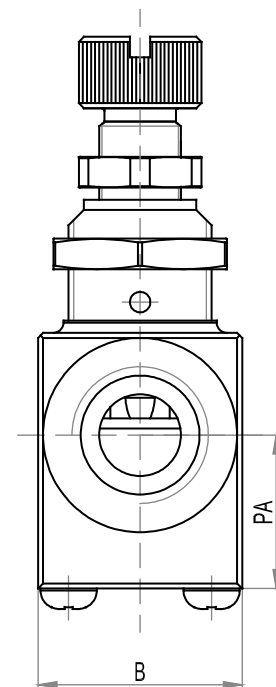
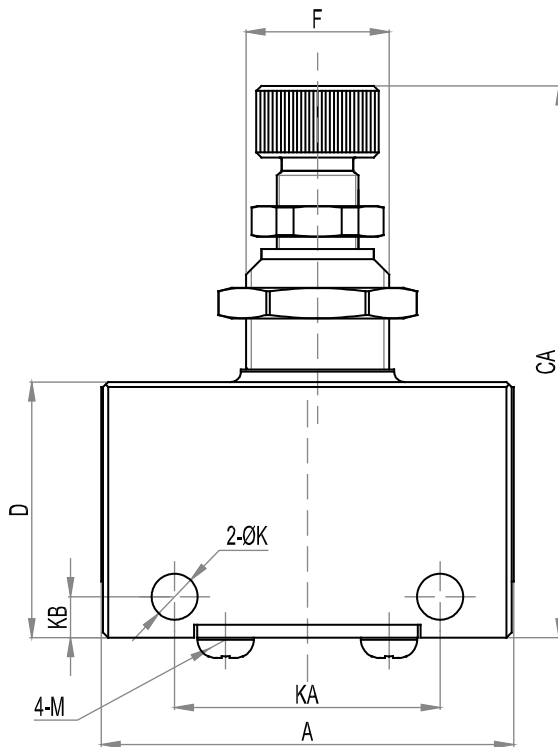
1	Spool	Brass
2	Clamping cap	H59 brass
3	Hexagon nut	H59 brass
4	Locating pin	Brass
5	O-ring	NBR
6	Body	Alluminium
7	Rubber plug	Oil resistant rubber
8	Spring	Stainless steel
9	O-ring	NBR
10	Screw	Carbon steel
11	Base	Iron

KEY CODE

AS - **150** - **06** - **G** - **N**

For further information, please consult with us.

AS	150	06	G	N	
SERIES	CODE	CODE	PORT SIZE	THREAD TYPE	NOTE
AS flow control valve	150:150 series	150	06:1/8" 08:1/4"	Blank:PT Thread	Blank=without thread
	300:300 series	300	08:1/4" 10:3/8"	N:NPT Thread	N=with thread
	400:400 series	400	10:3/8" 15:1/2"	G:G Thread	

Model:AS-150/300/400

Model:AS-150/300/400-N


型号	AS150	AS300	AS400
A	40.4	56.4	67.9
B	20	26	29
CA	54	66.5	74.8
D	25	31	34
F	M14×1.0	M16×1.0	-
K	4.5	4.5	4.5
KB	4.1	4.9	4.8
M	M3	M4	M4
P	PT1/8"-PT1/4"	PT1/4"-PT3/8"	PT3/8"-PT1/2"
PA	15	18	19