

FVS FOOT PEDAL VALVE



The aluminium foot pedal is designed with direct acting, which is steady and reliable

If the duration of direction change is long, the valves with lock may be selected

The clamping framework is steady and reliable that it is easy and quick to unlock. However, with the limitation of the dimension of the structure, it can not bear frequent strong impact.

Plastic guard with high strength may be selected

TECHNICAL DATA

Model	FVS320	FVS520
Operating medium	Air filtered by 40um filter element	
Version	Acting type controlled by foot	
Pneumatic connection	PT1/4"	PT1/4"
Valve type	5 port 2 position, 3 port 2 position	
Operating pressure	0-0.8Mpa	
Proof pressure	1.5Mpa	
Operating temperature	-20-70°C	
Material body	Aluminum alloy	
Lubrication	Not required	



1 bar=0.1MPa=14.5PSI

KEY CODE

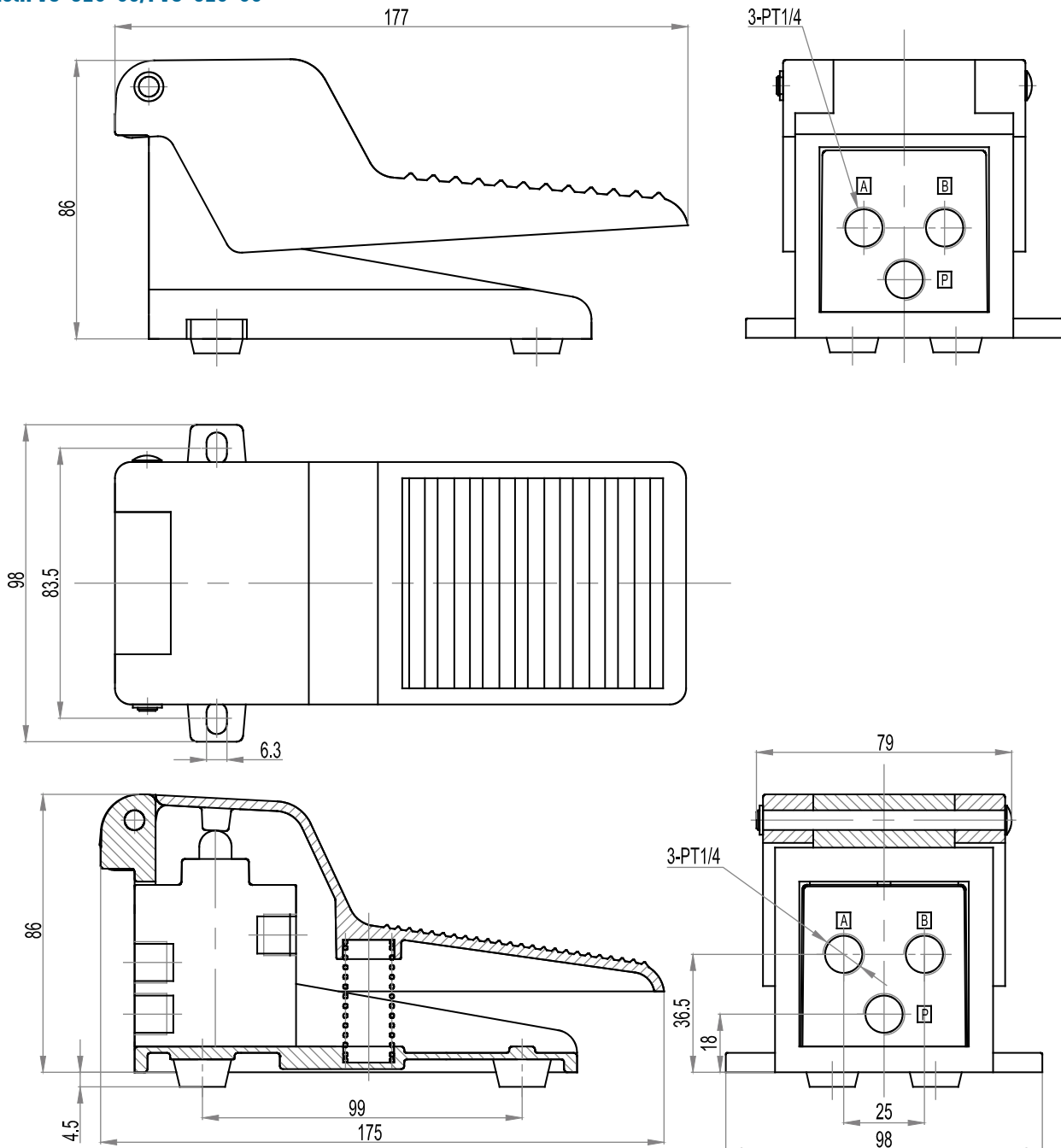
FVS - 320 - 08 - L - G

For further information, please consult with us.

FVS	320	08	L	G
SERIES	TYPE	PORT SIZE	NOTE	THREAD TYPE
FVS foot pedal valve	320:3 port 2 position 520:5 port 2 position	08= PT1/4"	Blank:Standard L:With lock F:With guard LF:With lock and guard	Blank:PT Thread N:NPT Thread G:G Thread

DIMENSIONS

Model:FVS-320-08/FVS-520-08



Model:FVS-320-08-F

