

MV MECHANICAL VALVES



Exhaust outlet locates over the body, which is convenient to install muffler to decrease noise and pollution.

The external force required by direction-change of series of MVB and MVR is provided by external mechanism, which can be used for position test or [stroke switch] limit switch.

The button type of PL, PP, PF, PM, HS are operated manually, owning control joints with several structure forms and suitable for application under different conditions.

It is in sliding column structure that the control force is not influenced by working pressure. (that is, there is no back pressure effect); internal circle is sealed with good tightness and the direction-change is sensitive.

Lubricant is not necessary.

Multi-mounting makes it convenient to install and apply

TECHNICAL DATA

Model	MV2X0-B	MV2X0-LB	MV2X0-R	MV2X0-PL	MV2X0-PP	MV2X0-PF	MV2X0-PM	MV2X0-HS
Operating medium	Air filtered by 40um filter element							
Version	External control direct acting type							
Pneumatic connection	06:PT1/8" 08:PT1/4"							
Orifice size	06: CV=0.50; 08: CV=0.67							
Valve type	5 port 2 position, 3 port 2 position							
Operating pressure	0-1.0Mpa							
Proof pressure	1.5Mpa							
Operating temperature	-20-70°C							
Material body	Die casting aluminum							
Lubrication	Not required							



1 bar=0.1MPa=14.5PSI

KEY CODE

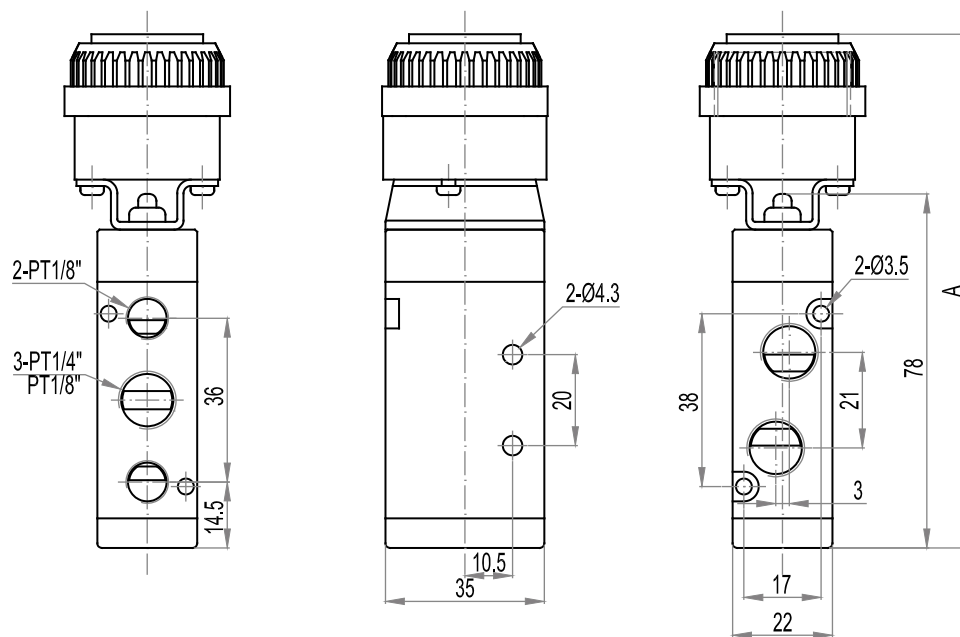
MV - 230 - PM - [] - 06 - G - G

MV	230	PM		06	G	G	
SERIES	TYPE	MODEL	CODE	PORT SIZE	Model	Button color	THREAD TYPE
MV Mechanical valve	230:3 port 2 position 250:5 port 2 position	B:Baicis Type LB:Long handle Type R:Roller Type PL:Latching Type PP:Protruding Type PF:Flat Type PM:Mushroom Type HS:Selector Type	Blank= 200 Series single control	06=1/8" 08=1/4"	PL PP/PF/PM LB/HS	R:Red R:Red G:Green B:Black	Blank:PT Thread N:NPT Thread G:G Thread

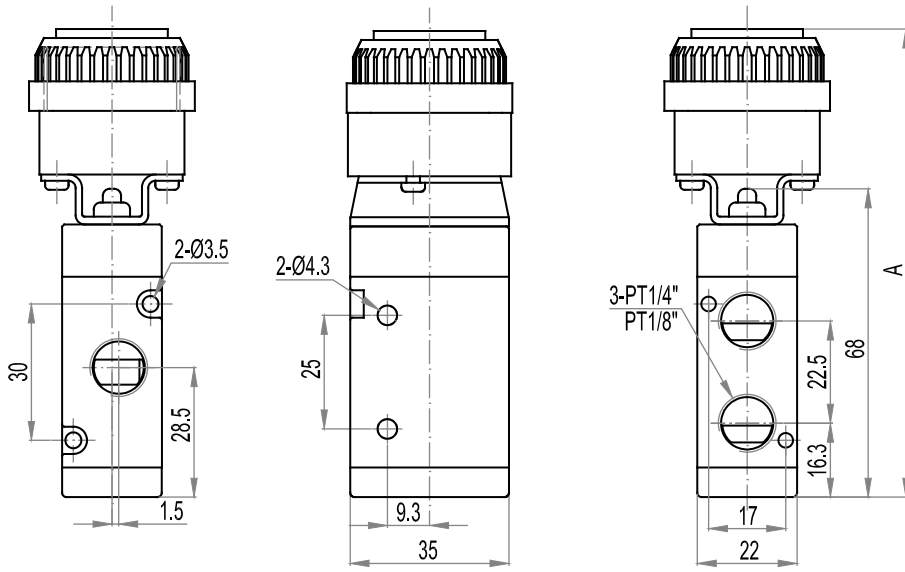
For further information, please consult with us.

DIMENSIONS

Model: MV250



Model: MV230



		PF	PP	HS	LB	PM	PL	L
MV250	A	113	117	132	132	125	135	93.5
MV230	A	103	107	122	122	115	125	83.5

Dimensions

