

GFC FR.L. COMBINATION



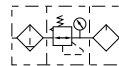
Quick and reliable mounting clamps makes it convenient to install and use

The performance of pressure adjustment is reliable with high precision

The efficiency of eliminating moisture and solid grain is high

Three drain types are available :manual drain,semi-auto drain and automatic drain

Symbol

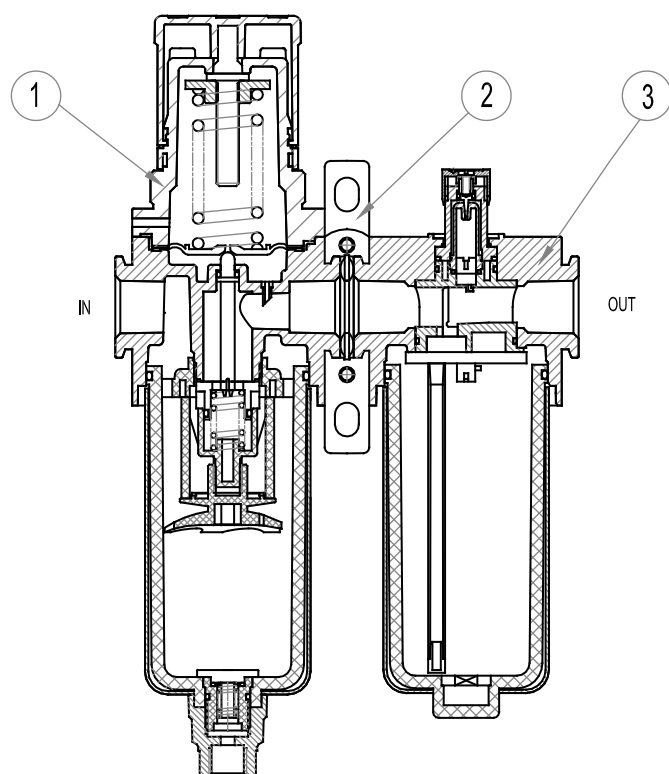


TECHNICAL DATA

BORE[Φ]	GFC200-06/08	GFC300-08/10/15	GFC400-10/15
Pneumatic connection	PT1/8"-PT1/4"	PT1/4"-PT3/8"-PT1/2"	PT3/8"-PT1/2"
Filtering grade	40µm or 5µm		
Pressure range	Semi-auto and automatic drain:5bar-9bar		Manual drain:0.5-9bar
Operating pressure	10bar		
Operating temperature	-20-70°C		
Operating medium	Air		
Recommended lubricant	ISO VG32 or equivalent		
Capacity of drain bowl	10CC	40CC	80CC
Capacity of oil bowl	25CC	75CC	160CC



1 bar=0.1MPa=14.5PSI



- 1 G series filter-regulator
- 2 Bracket
- 3 G series lubricator

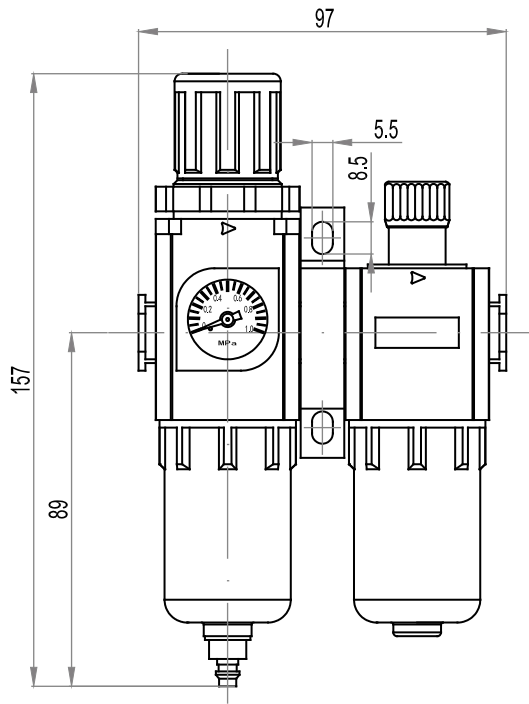
KEY CODE

GFC200 - **08** - **M** - **F** - **1** - **W** - **G**

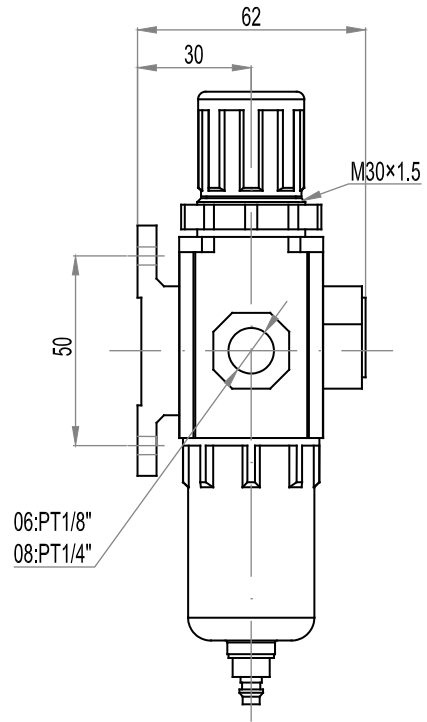
GFC200	08		M		F	1	W	G
SERIES	SERIES	PORT SIZE	DRAIN TYPE	PRESSURE GAUGE	PRESSURE GAUGE SHAPE	SCALE	FILTERING GRADE	THREAD TYPE
GFC200	GFC200	06:PT1/8" 08:PT1/4" 08:PT1/4" 10:PT3/8" 15:PT1/2"	Blank:Semi-auto drain	Blank:Pressure gauge	F:Diamond	1:MPa	Blank:40μm	Blank: PT Thread
GFC300	GFC300	10:PT3/8" 15:PT1/2"	M:Manual drain	N:No pressure gauge	C:Circular	2:PSI	W:5μm	N:NPT Thread
GFC400	GFC400	10:PT3/8" 15:PT1/2"	A:Automatic drain			3:BAR		G:G Thread

For further information, please consult with us.

GFC200



DIMENSIONS



GFC300

