

GFR FILTER®ULATOR



Embedded square pressure gauge is used to save installation space(External circular pressure gauge is also optional)

The pressed-in self-locking mechanism can prevent the abnormal movement of the set pressure caused by external interfere

Balanced design is adopted for the pressure adjustment mechanism

Unique diversion structure spins the air flowing through to effectively separate the liquid from the air and reliably filter the solid grain

Three drain types are available :manual drain,semi-auto drain and automatic drain

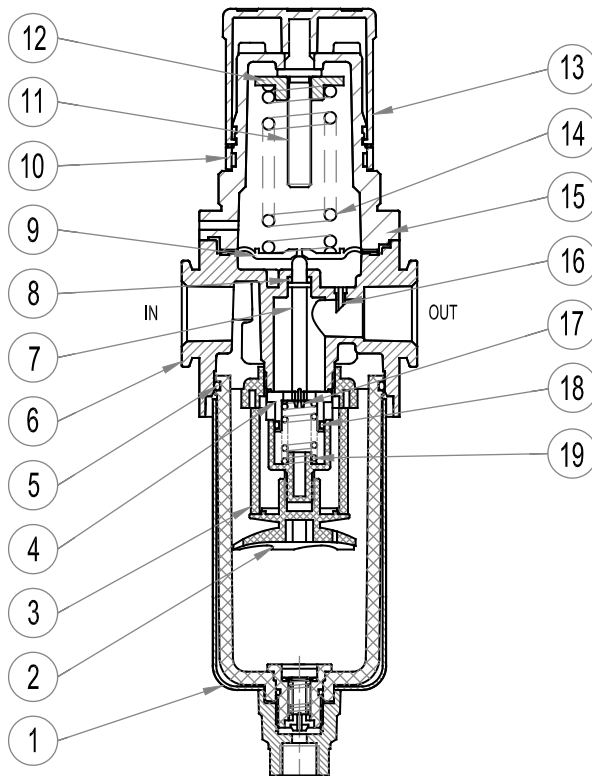
The bracket can be selected for installation



TECHNICAL DATA

| BORE[Φ] | GFR200-06/08 | GFR300-08/10/15 | GFR400-10/15 |
|-------------------------------|---|----------------------|-----------------------|
| Pneumatic connection | PT1/8"-PT1/4" | PT1/4"-PT3/8"-PT1/2" | PT3/8"-PT1/2" |
| Filtering grade | 40μm or 5μm | | |
| Pressure range | Semi-auto and automatic drain:1.5bar-9bar | | Manual drain:0.5-9bar |
| Operating pressure | 10bar | | |
| Operating temperature | -20-70°C | | |
| Operating medium | Air | | |
| Capacity of drain bowl | 10CC | 40CC | 80CC |

1 bar=0.1MPa=14.5PSI



| | | |
|----|--------------------------|--|
| 1 | Drain bowl | PC |
| 2 | Umbrella baffle | High viscosity POM |
| 3 | Filter core | 40μm Agglomerated by brass grain 5μm Makrolon fiber |
| 4 | Air guider | High viscosity POM |
| 5 | O ring | NBR |
| 6 | Body of filter-regulator | Aluminum alloy |
| 7 | Adjusting spool | POM |
| 8 | O ring | NBR |
| 9 | Diaphragm | SUS304&Rubber |
| 10 | Fixation ring cap | Aluminum alloy |
| 11 | Adjusting spindle | 59 brass |
| 12 | Regulator nut | 59 brass |
| 13 | Pressure knob | POM |
| 14 | Spring | SWC |
| 15 | Adjusting seat | Aluminum alloy |
| 16 | Feedback tube | POM |
| 17 | Adjusting plug | Brass&Rubber |
| 18 | O ring | NBR |
| 19 | Spring | SUS304 |

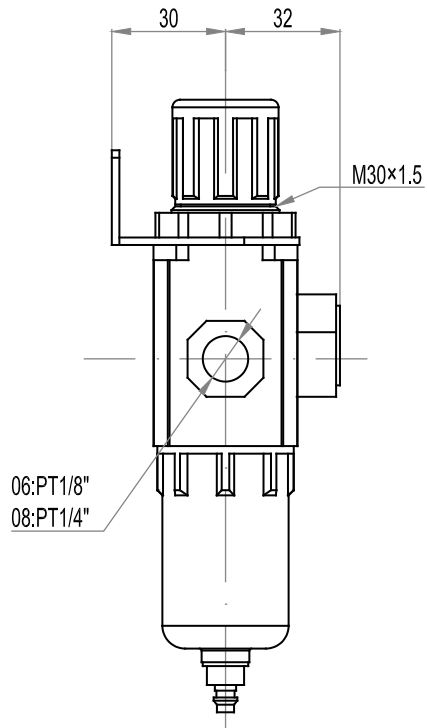
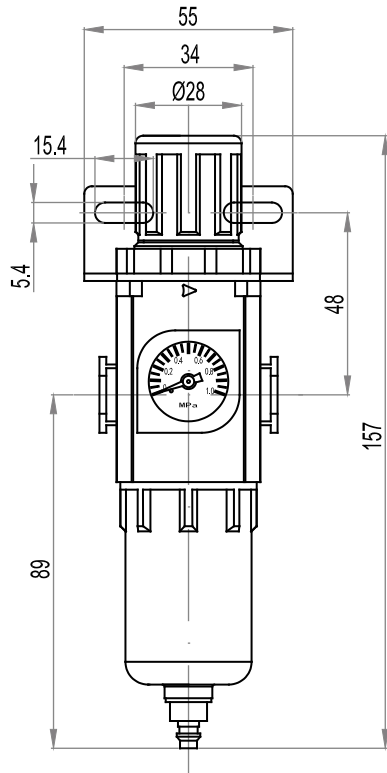
KEY CODE

GFR200 - **08** - **M** - **F** - **1** - **W** - **G**

| GFR200 | 08 | M | F | 1 | W | G | | |
|---------------|-----------|-------------------------------------|-----------------------|----------------------|----------------------|----------|-----------------|-----------------|
| SERIES | SERIES | PORT SIZE | DRAIN TYPE | PRESSURE GAUGE | PRESSURE GAUGE SHAPE | SCALE | FILTERING GRADE | THREAD TYPE |
| GFR200 | GFR200 | 06:PT1/8" 08:PT1/4" 08:PT1/4" | Blank:Semi-auto drain | Blank:Pressure gauge | F:Diamond | 1:MPa | Blank:40μm | Blank:PT Thread |
| GFR300 | GFR300 | 10:PT3/8" 15:PT1/2" | M:Manual drain | N:No pressure gauge | C:Circular | 2:PSI | W:5μm | N:NPT Thread |
| GFR400 | GFR400 | 10:PT3/8" 15:PT1/2" | A:Automatic drain | | | 3:BAR | | G:G Thread |

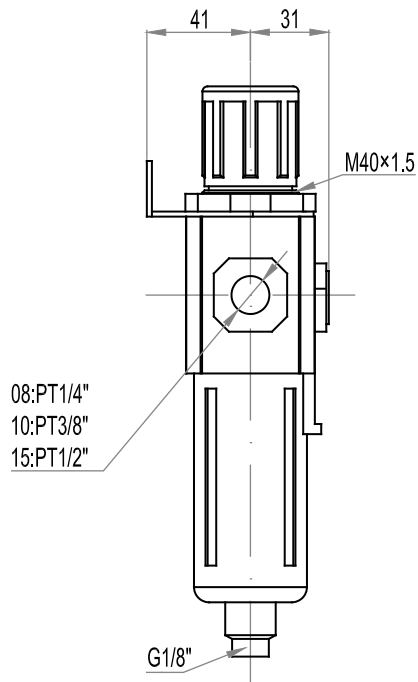
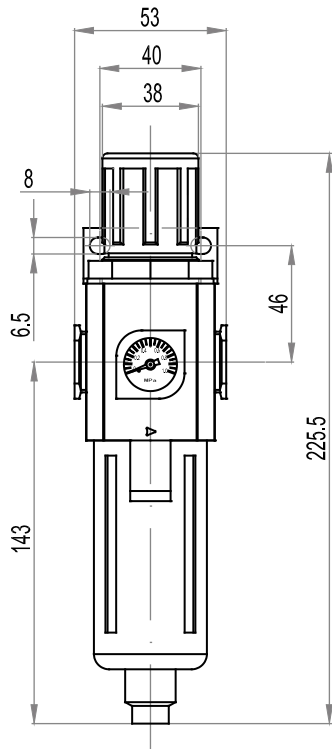
For further information, please consult with us.

GFR200

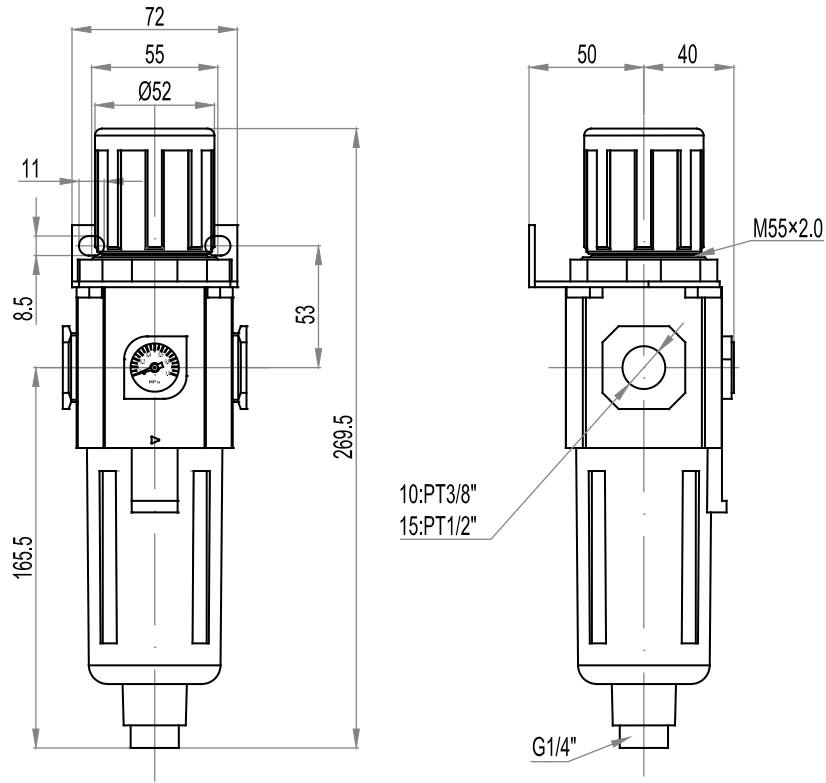


DIMENSIONS

GFR300



GFR400



DRAIN TYPE

| G200 | | G300/G400 | | |
|--------------|-----------------|--------------|-----------------|-----------------|
| Manual drain | Semi-auto drain | Manual drain | Semi-auto drain | Automatic drain |
| | | | | |

 PU tube with an inner diameter of Ø5 or Ø5.5mm is recommender for G200