

GR REGULATOR

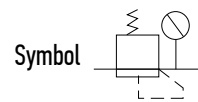


Embedded square pressure gauge is used to save installation space(External circular pressure gauge is also optional)

The pressed-in self-locking mechanism can prevent the abnormal movement of the set pressure caused by external interfere

Balance design is adopted for the pressure adjustment mechanism

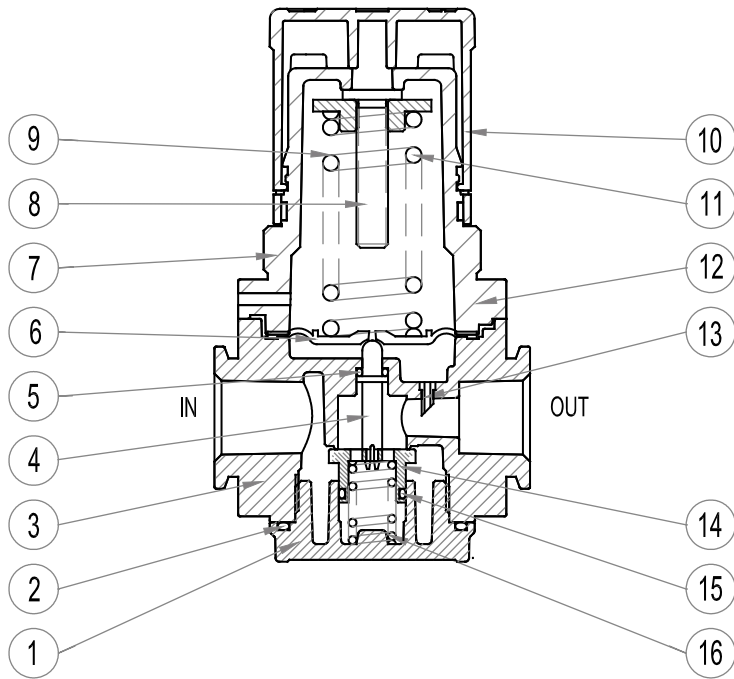
In addition to panel installation, the bracket is optional for installation



TECHNICAL DATA

BORE[Φ]	GR200-06/08	GR300-08/10/15	GR400-10/15
Pneumatic connection	PT1/8"-PT1/4"	PT1/4"-PT3/8"-PT1/2"	PT3/8"-PT1/2"
Pressure range	0.5-9bar		
Operating pressure	10bar		
Operating temperature	-20-70°C		
Operating medium	Air		

 1 bar=0.1MPa=14.5PSI



1	Valve cap	Aluminum alloy
2	O ring	NBR
3	Body	Aluminum alloy
4	Spool	POM
5	O ring	NBR
6	Diaphragm	SUS304&Rubber
7	Fixation ring cap	Aluminum alloy
8	Adjusting spindle	59 brass
9	Regulator nut	59 brass
10	Pressure knob	POM
11	Spring	SWC
12	Adjusting seat	Aluminum alloy
13	Feedback tube	POM
14	Adjusting plug	Brass&Rubber
15	O ring	NBR
16	Spring	316 Stainless steel

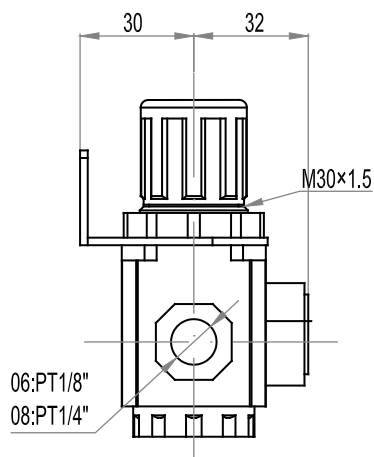
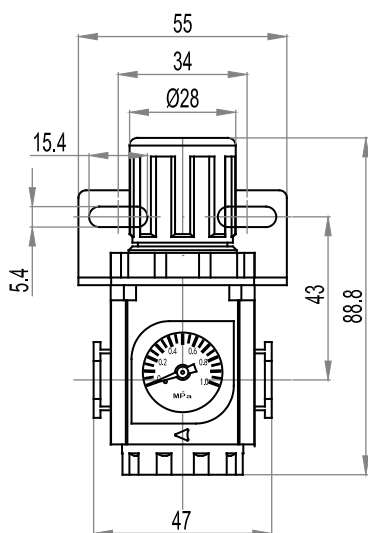
KEY CODE



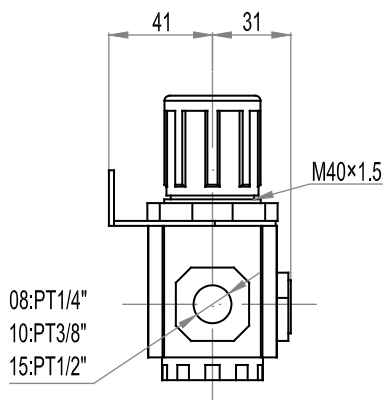
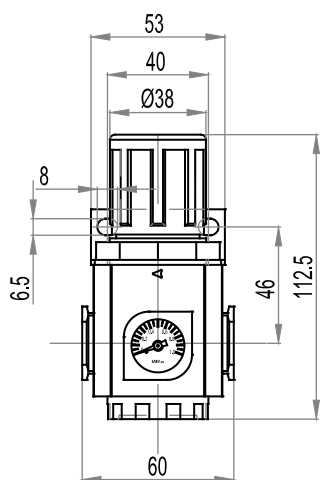
GR200	08				F	1	G
SERIES	SERIES	PORT SIZE	ACCESSORIES	PRESSURE GAUGE	PRESSURE GAUGE SHAPE	SCALE	THREAD TYPE
GR200	GR200	06:PT1/8" 08:PT1/4"	Blank:Bracket	Blank:Pressure gauge	F:Diamond	1:MPa	Blank:PT Thread
GR300	GR300	08:PT1/4" 10:PT3/8"	J:No bracket	N:No pressure gauge	C:Circular	2:PSI	N:NPT Thread
GR400	GR400	15:PT1/2" 10:PT3/8" 15:PT1/2"				3:BAR	G:G Thread

For further information, please consult with us.

GR200



GR300



GR400

